

SIEMENS



Canon Japan

Lenovo

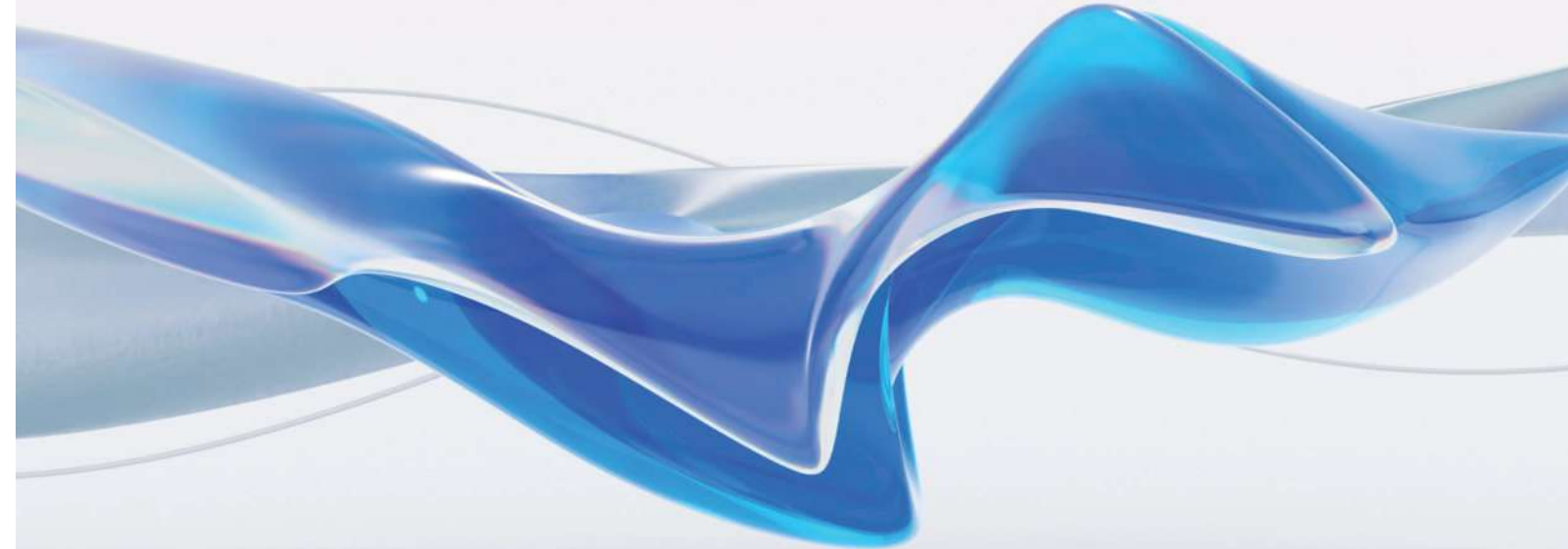
Schneider Electric

HONDA

RAILWAY
TECHNOLOGY

NOKIA

PHILIPS



What is GstarCAD

GstarCAD is well-known alternative CAD software of high compatibility with ACAD. With nearly 30 years of continuous improvement and lean innovation, today GstarCAD is far ahead in performance, stability and other key indicators and becomes leading CAD software in the world.



CATALOGUE

Profile	1
Advantages	2
Better Performance	
Perfect Compatibility	
Innovative Tools	
Flexible Licensing	
What's new in GstarCAD 2024	3
Improvements	
New Features	
More about GstarCAD	6
Comprehensive Drafting Ability	
Efficient File Management & Printing	
Flexible Customization	
Collaboration	7
More CAD Products	8
Your Own CAD Solution	9

Profile

GstarCAD 2024

Seamless Experience with High Compatibility

With accelerated performance, enhanced compatibility and elevated user experience, GstarCAD 2024 takes design productivity to new heights.

Experience optimized speed and quality when working with large files, enjoy expanded compatibility with support for more file formats and APIs, and discover a new level of design satisfaction with the upgraded Dynamic Input tool and adjustable viewports, etc. Join us and take a look at the exciting features of GstarCAD 2024.

Advantages

Better Performance

With advanced technology and optimized algorithms, GstarCAD ensures you faster processing speed. Our efficient multi-core processing provides smoother handling of complex drawings, reducing lag and enhancing user experience. With our constant improvement, the performance of GstarCAD 2024 is now even more extraordinary.



Perfect Compatibility

GstarCAD delivers high compatibility with ACAD and provides robust APIs. The seamless data format, familiar interface, command structure and user operating habit ensure easy transition, while the powerful APIs allow for extensive customization and automation, empowering you to tailor the software to your specific needs.



Innovative Tools

Other than a comprehensive set of commands that you need, GstarCAD also offers over 100 unique and innovative tools like "Collaboration", "AreaTable", "Auto Layer", "Viewport to Layout", "AutoxIstable". They are adopted to significantly speed up your drafting speed.



Flexible Licensing

GstarCAD licensing policy is flexible and simple. We provide both perpetual license and subscription. You are free to choose the license mode and you decide whenever you want to upgrade.

	Stand-alone	Stand-alone	Network	Network
	License-key Serial number	USB-key Dongle	License-key Serial number	USB-key Dongle
Perpetual license	✓	✓	✓	✓
Rental license	✓	✗	✓	✗
License borrowing	✗	✗	✓	✗
Connection to license server	✗	✗	✓	✓

What's new in GstarCAD 2024

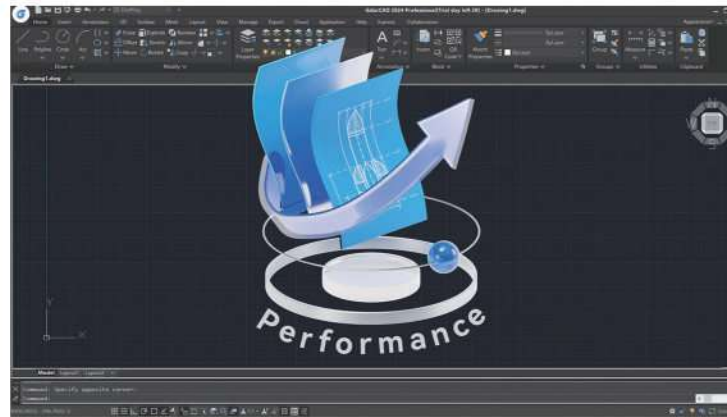
Elevate your CAD productivity to new heights with GstarCAD 2024, delivering accelerated performance, enhanced compatibility, and better user experience.

Improvements

Performance

The stability and performance have significantly improved in GstarCAD 2024, enhancing your design workflow.

The speed of opening and attaching of large raster images are faster and smoother with high quality, hatch preview remains quick and real-time even in complex drawings, what's more, lineweight display is also optimized with better transparency and performance.



API (GRX/VBA/LISP/.NET/COM)

.NET

With 100% integrity in core module interfaces that are most commonly used, GstarCAD 2024 ensures efficient development and seamless cross-platform compatibility.

LISP

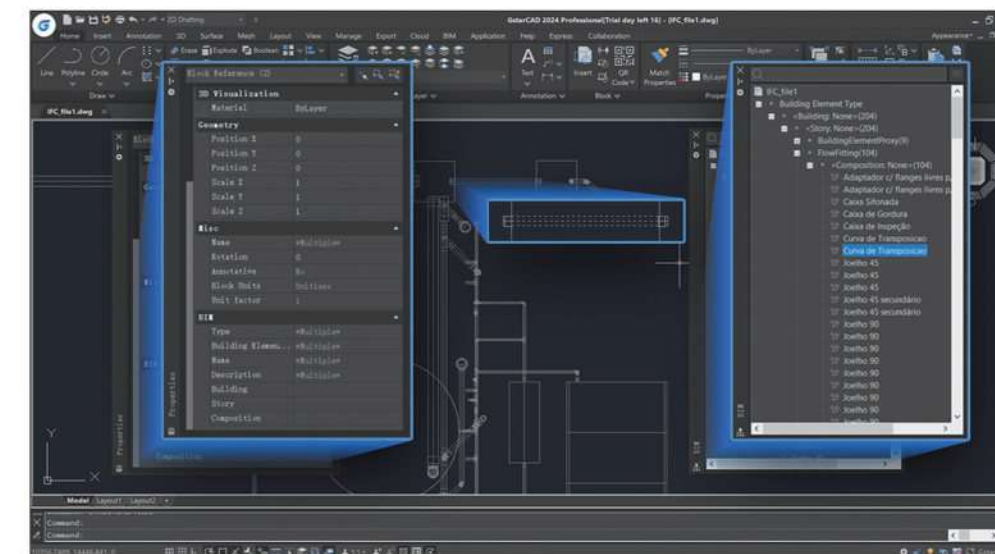
Encoding format of the LISP module has been optimized and adjusted to ensure complete compatibility with ANSI, UTF-8, UTF-16, UTF-8 BOM, and other encoding formats used in LISP, FAS, VLX, and DCL files, enabling efficient and seamless secondary development.



New Features

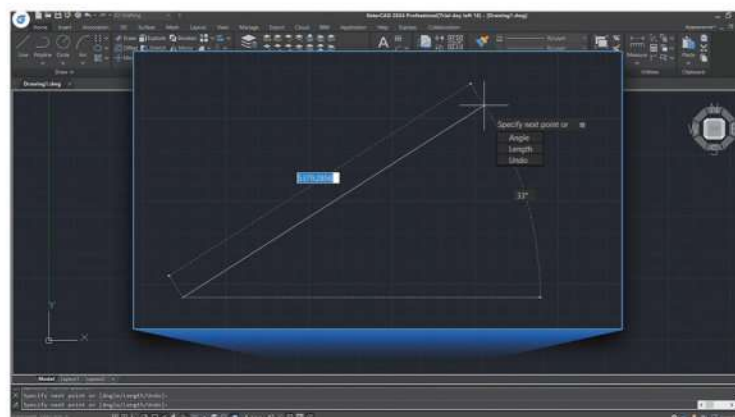
BIM Support

IFC files can be imported with complete BIM data in GstarCAD 2024, shown in Properties Panel, entities can also be managed in IFC Structure Panel.



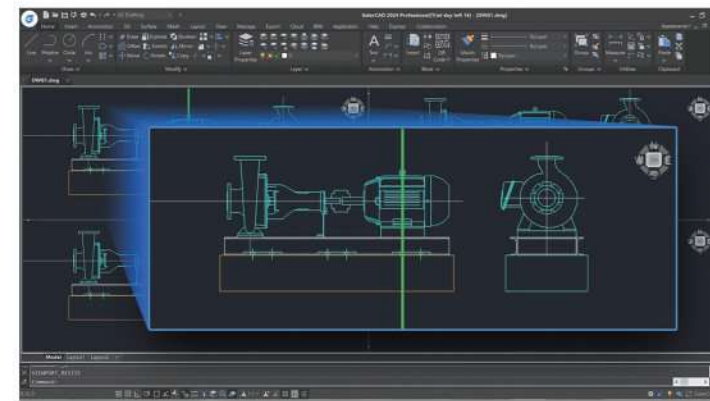
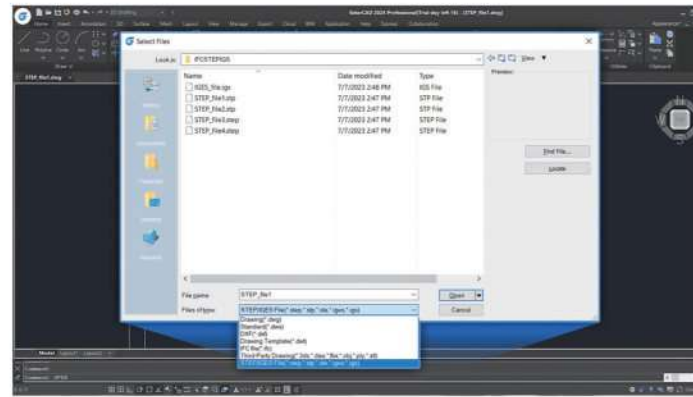
Dynamic Input

Adds Dimension Input, vertical Dynamic Prompts list and separates Pointer Input boxes to provide easier-to-use experience and improve design efficiency.



STEP/IGES Files Import

Supports STEP and IGES files, which enables convenient exchange of 3D CAD data between different software platforms.

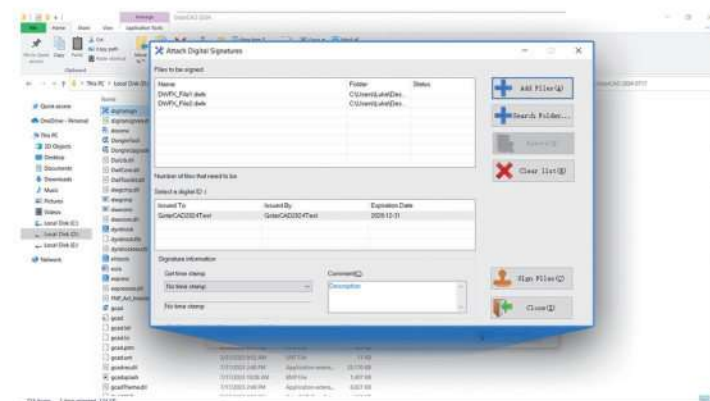
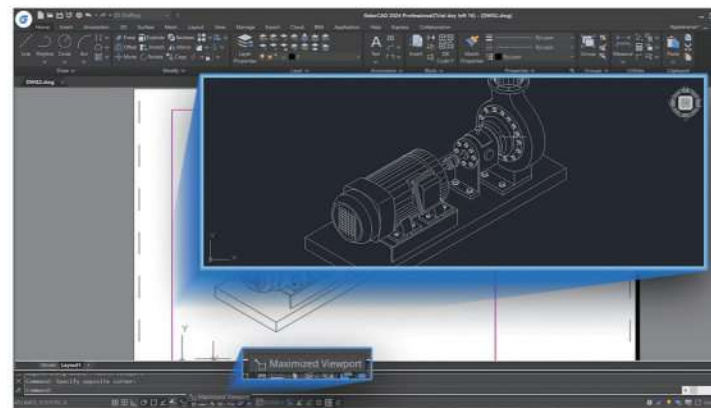


Viewports Edit

You can add, merge and adjust viewports by simply holding and dragging the border of viewports with your mouse cursor, making it easier to use.

VPMAX/VPMIN

VPMAX allows you to expand the current layout viewports and switch to Model Space for editing without worrying about messing up viewports' scales and limits. VPMIN allows you to restore the current layout viewport.



DWFX Batch Digital Signing Tool

By using an independent batch Digital Signing tool, you can sign DWFX, DWG, DWT and other files in bulk with digital signatures efficiently.

More about GstarCAD

Comprehensive Drafting Ability

GstarCAD provides precise and efficient tools for 2D drafting and 3D modeling, empowering users to bring ideas to life effortlessly.

- Object Snap
- Dimension tools
- Annotation Scale
- Revision Cloud
- Multileader
- Solid Editing
- 3D orbit options
- Visual Styles
- 3D Face & Mesh Modeling
- 2D Profiles and Sections



Efficient File Management & Printing

GstarCAD excels in file management with high compatibility, along with high-quality print capabilities, ensuring precision in every output.

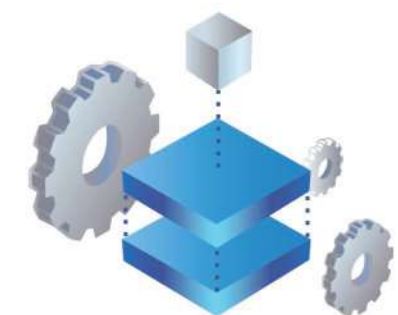
- My Cloud (Cloud Storage)
- PDF/DWG/DWF Underlay
- Drawing Compare & Graphic Compare
- Drawing Lock
- Batch Purge
- Batch Print
- Import & Export
- Barcode
- QR Code



Flexible Customization

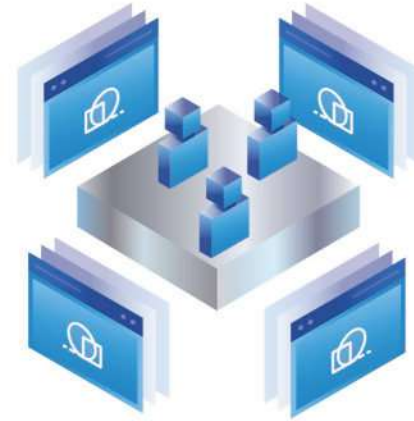
GstarCAD empowers users to personalize GstarCAD with flexible tools and robust APIs. From the interface and shortcuts to the software's behavior, everything could be tailored according to your needs, making sure an efficient CAD experience.

- Quick Access Custom
- User Interface Custom
- Command aliases
- Shortcuts Custom
- ObjectGRX
- .NET Framework
- VLISP Editor
- VBA Macro



Collaboration

Based on new technologies like drawing data incremental storage and transmission, Collaborative Design of GstarCAD enables cross-department and cross-team design collaboration based on DWG drawings, allowing designers/draftsmen to trace and return back to any previous version and locate design changes by one click, ensuring design quality and overall accuracy of specific projects.



- Multi-person and multi-direction drawing reference
- Flexible drawing reference management
- Easy check of design changes in reference drawings
- Smart drawing version management and tracing

- Timely, synchronous and asynchronous data submission and update
- Drawing data incremental storage and transmission
- Roles and permission management throughout project
- Convenient project import and export



More CAD Products



GstarCAD Mechanical

Covering all fields of mechanical design, GstarCAD Mechanical is a professional designing and drawing software specially built for manufacturing.

- Compatible with ACM
- Reasonable Price
- Intelligent Design Tools
- Extensive Library



GstarCAD Architecture

GstarCAD Architecture uses associative and parametric building components to create construction plan drawings based on custom object technologies. 2D drawings and 3D models are generated synchronously to satisfy not only the demand of construction drawings, but also the 3D visualization of buildings.

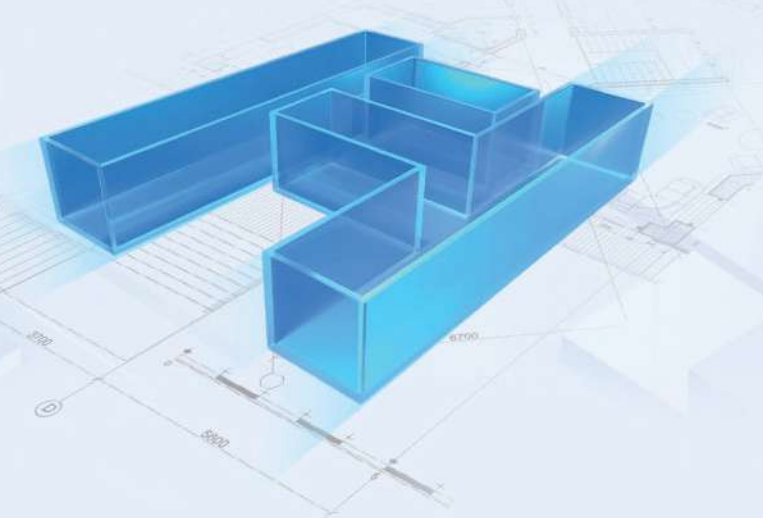
- Innovative Function
- Intelligent Operation
- My Cloud
- Architecture Objects
- 3D Model
- Dimension & Symbol



Houseplan

Houseplan is a powerful, easy-to-learn, lightweight and compatible 3D modeling and real-time rendering software that can create 3D models quickly and demonstrate your scheme independently.

- Quick Modeling
- Advanced Modeling
- Real time Rendering
- Format Compatibility
- Material Painting
- Entities and Animation
- Flexible Output
-



Your Own CAD Solution

GstarCAD offers you different solutions according to your needs!
With flexible licensing, we're dedicated to be your best CAD partner.

Standard

- ✓ 100% native DWG/DXF support from R12 to 2018
- ✓ Alternative to AutoCAD LT
- ✓ Familiar user interface and commands

Professional

- ✓ Powerful, time-saving practical tools
- ✓ Alternative to AutoCAD full version
- ✓ Advanced Block editor

Mechanical

- ✓ GstarCAD Pro + mechanical toolset
- ✓ Full data compatibility with AutoCAD Mechanical
- ✓ Standardized drawing environment (ISO/DIN/JIS/etc)
- ✓ Automatic and professional functions
- ✓ Customizable parts/symbol libraries

Architecture

- ✓ Parametric design of building components
- ✓ GstarCAD Pro + architectural plan drawing tools
- ✓ Synchronous 3D building model from 2D drawings
- ✓ Intelligent architectural plan drawing functions

Houseplan

- ✓ Powerful real-time rendering
- ✓ Lots of texture and 3D entities resources
- ✓ Interactive simulation publishing

Perpetual

Yearly Subscription

Upgrade

※ Perpetual: Perpetual right to use license

※ Yearly Subscription: One year right to use license

※ Upgrade: Upgrade previous GstarCAD Perpetual license to the latest version