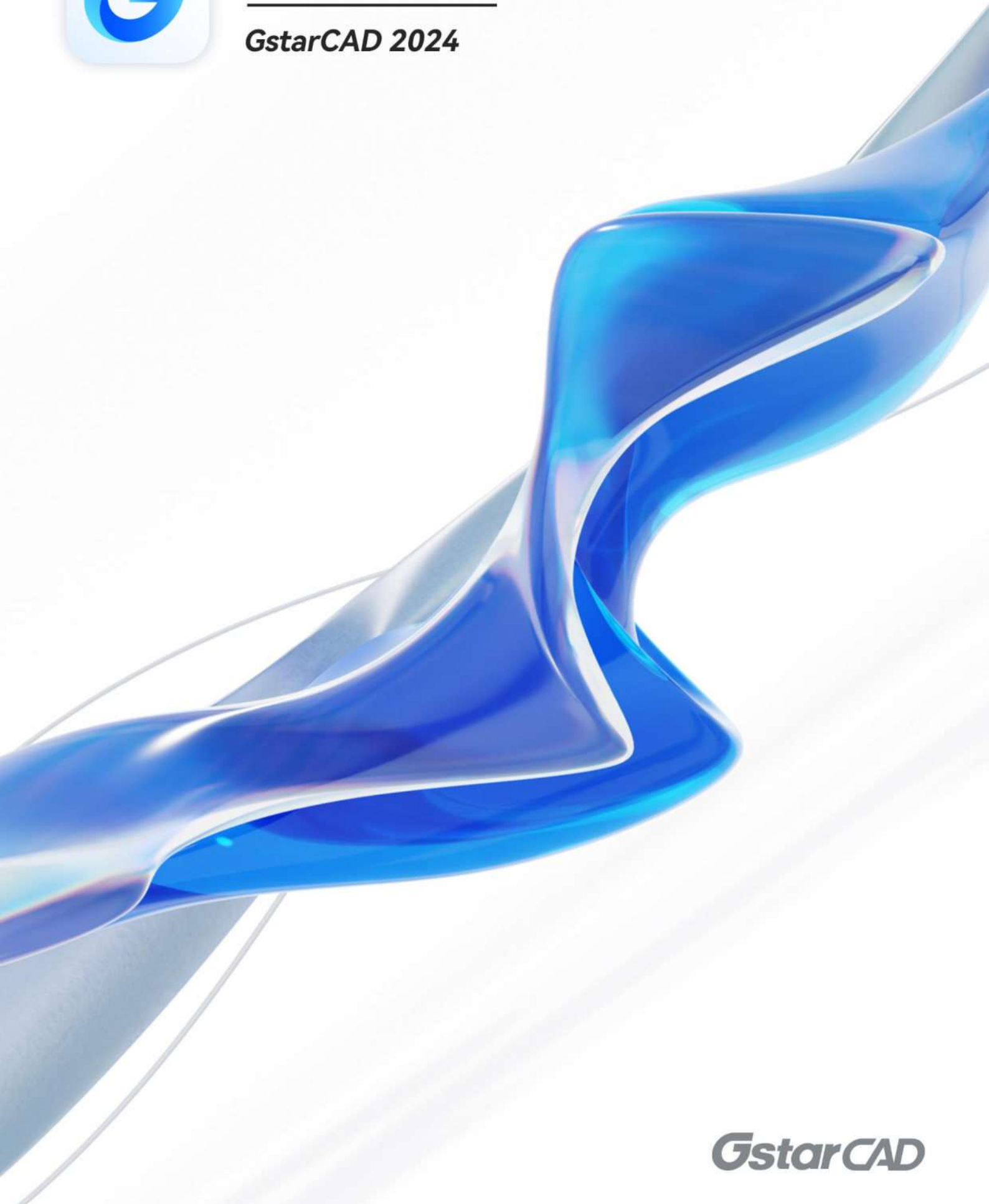




Overview

GstarCAD 2024





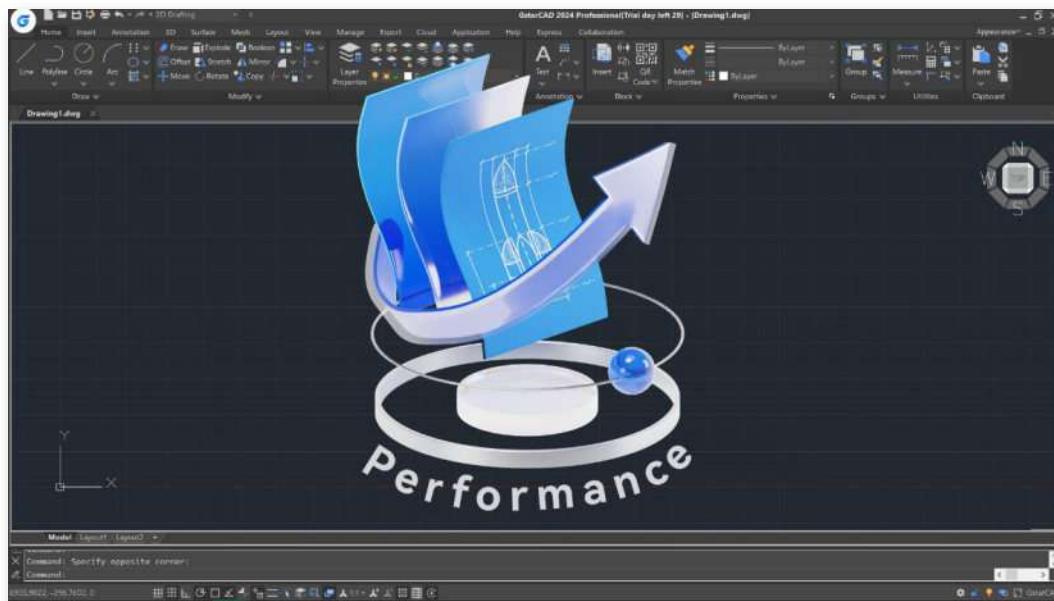
GstarCAD 2024 Overview

Seamless Experience with High Compatibility

With accelerated performance, enhanced compatibility and elevated user experience, GstarCAD 2024 takes design productivity to new heights. Experience our optimized operation speed and quality, enjoy the expanded compatibility for more file formats and APIs, and discover a new level of design satisfaction with the upgraded Dynamic Input tool and adjustable viewports, etc. Join us and take a look at the exciting features of GstarCAD 2024!

Improvement Performance

The stability and performance have been significantly improved in GstarCAD 2024, enhancing your design workflow. The speed of opening and attaching large raster images are faster and smoother with high quality, hatch preview remains quick and real-time even in complex drawings, what's more, lineweight display is also optimized with better transparency and performance.



Improvement API

GstarCAD offers robust APIs for developers to migrate or build applications on GstarCAD, including GRX, .NET, VBA, LISP, and COM. In GstarCAD 2024, .NET and LISP have been greatly optimized.



- **.NET**

Built on advanced C++/CLI technology, .NET secondary development interface offers a reliable platform for developers. With 100% integrity in core module interfaces that are most commonly used, GstarCAD 2024 ensures efficient development and seamless cross-platform compatibility.

- **LISP**

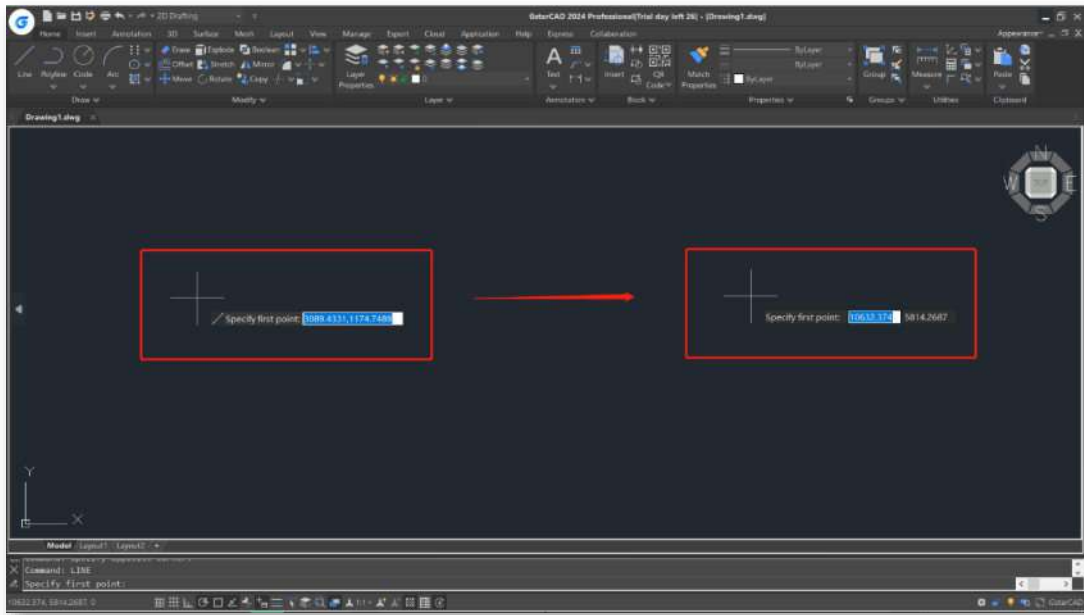
The encoding format of the LISP module has been optimized and adjusted to ensure complete compatibility with ANSI, UTF-8, UTF-16, UTF-8 BOM, and other encoding formats used in LISP, FAS, VLX, and DCL files, enabling efficient and seamless secondary development.

***Improvement* Dynamic Input**

In GstarCAD 2024, the Dynamic Input system has been upgraded, with new functions of Dimension Input, vertical Dynamic Prompts list and independent Pointer Input boxes, it provides an easier-to-use experience and improves design efficiency.

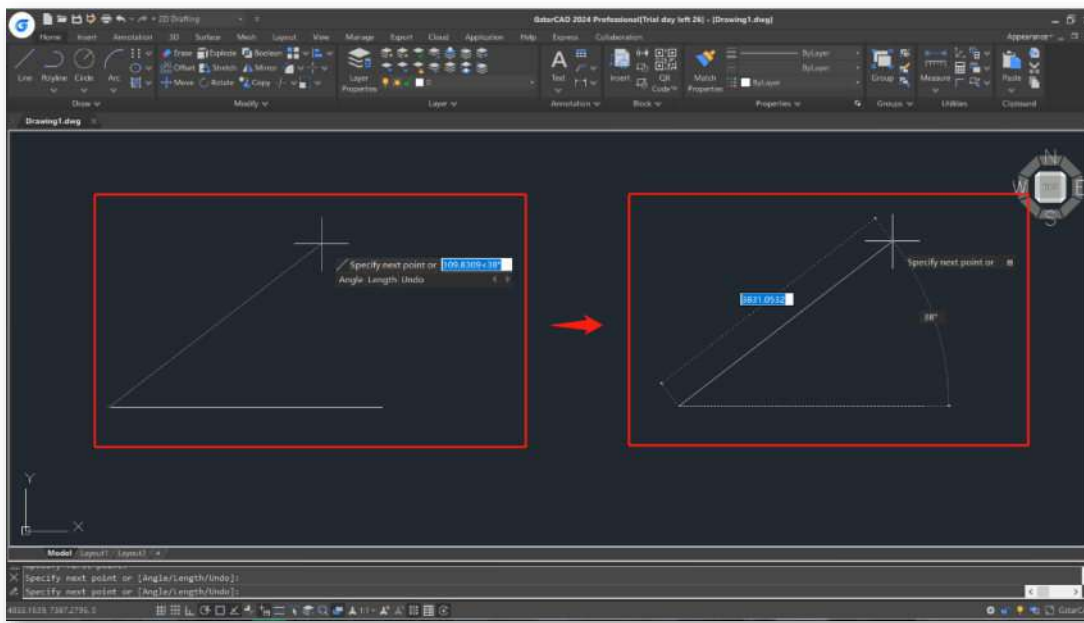
- **Independent Pointer Input Boxes**

Pointer Input boxes for length, angle and coordinates, etc. are now displayed independently in GstarCAD 2024, making it more convenient for users to input different values by simply switching between the boxes using the TAB key.



- **Dynamic Dimension Input**

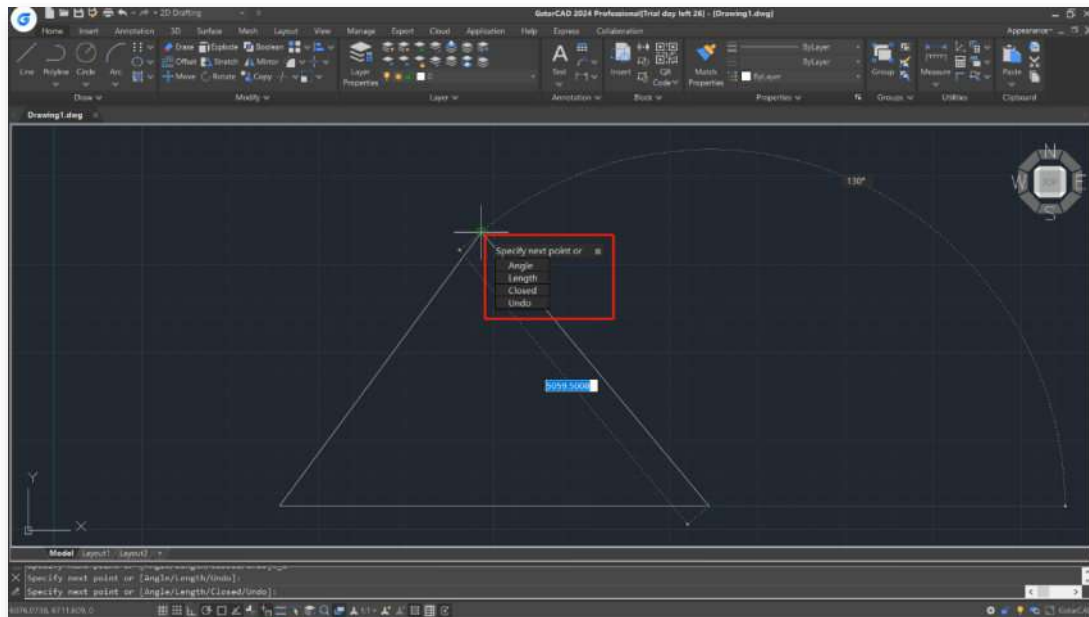
When creating and editing objects in GstarCAD 2024, data such as length, angle, radius, etc., are displayed in the form of dimensions, which dynamically change as the mouse cursor is being moved. With the help of the independent Pointer Input boxes, users are now able to input dimension data and execute design operations more efficiently.



- **Vertical Dynamic Prompts List**

Dynamic Prompts List is now displayed vertically by default in GstarCAD 2024, which allows users to see all the prompts at once, simplifying drawing operations. Horizontal prompts list could still be activated by using the

system variable DYNLISTSTYLE.

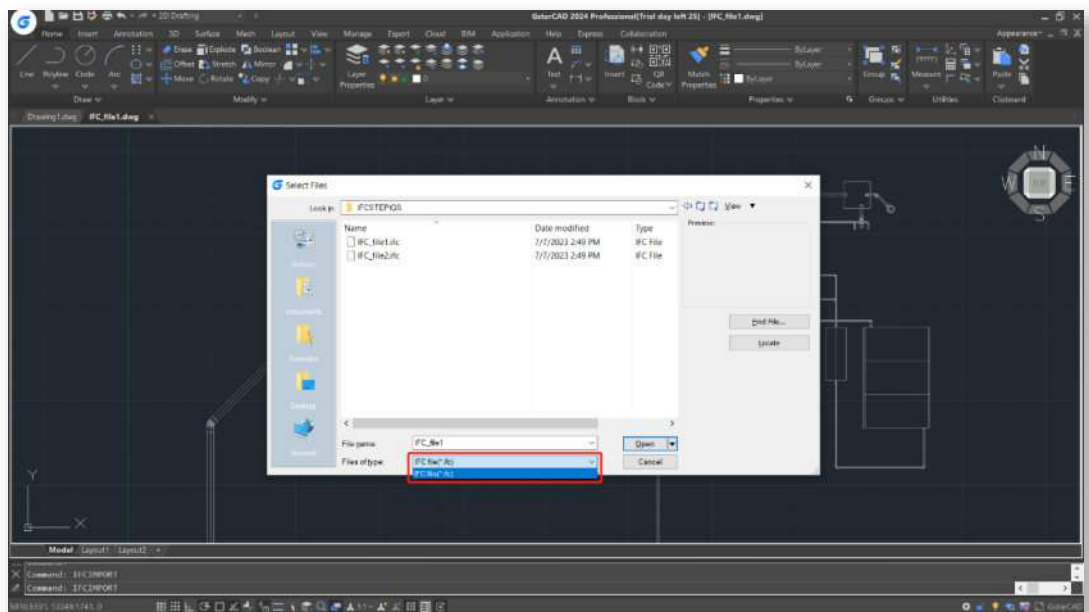


New BIM Support

Complete BIM data can be imported with IFC files in GstarCAD 2024, shown in Properties Panel, entities can also be managed in IFC Structure Panel.

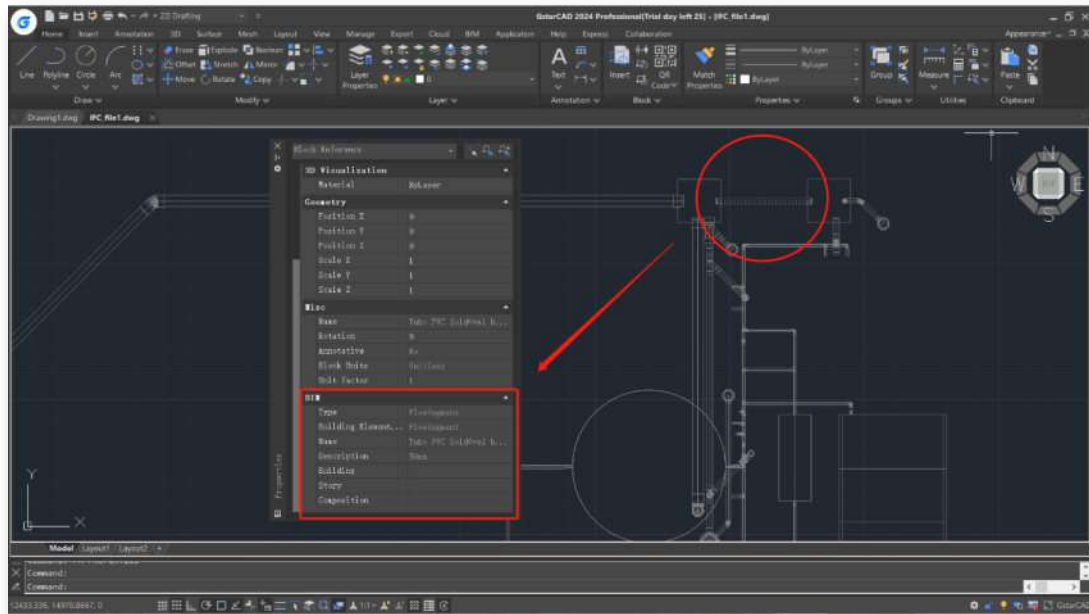
- IFCIMPORT

Users can import IFC files, which contain detailed BIM information about building elements, materials, relationships, and more. The new IFC module ensures that no crucial details will be lost during the importation process, enabling users to work with a complete and accurate representation of the objects.



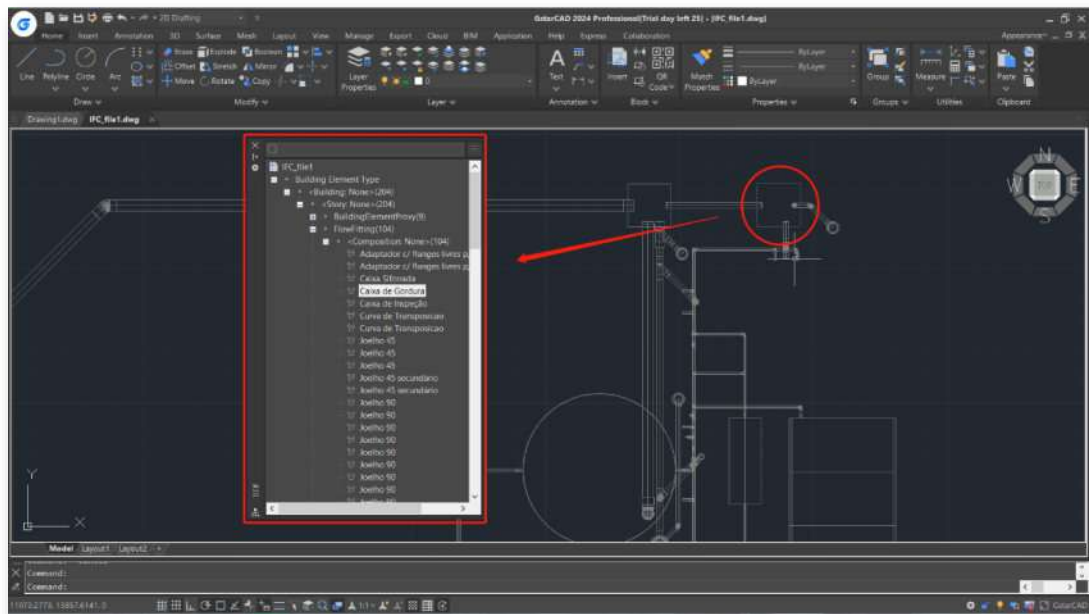
- **BIM Information Display**

After IFC files are imported, the BIM information will be recorded in the database. When an entity that contains BIM information is selected, its related BIM information will be accessed and displayed in the Properties Panel.



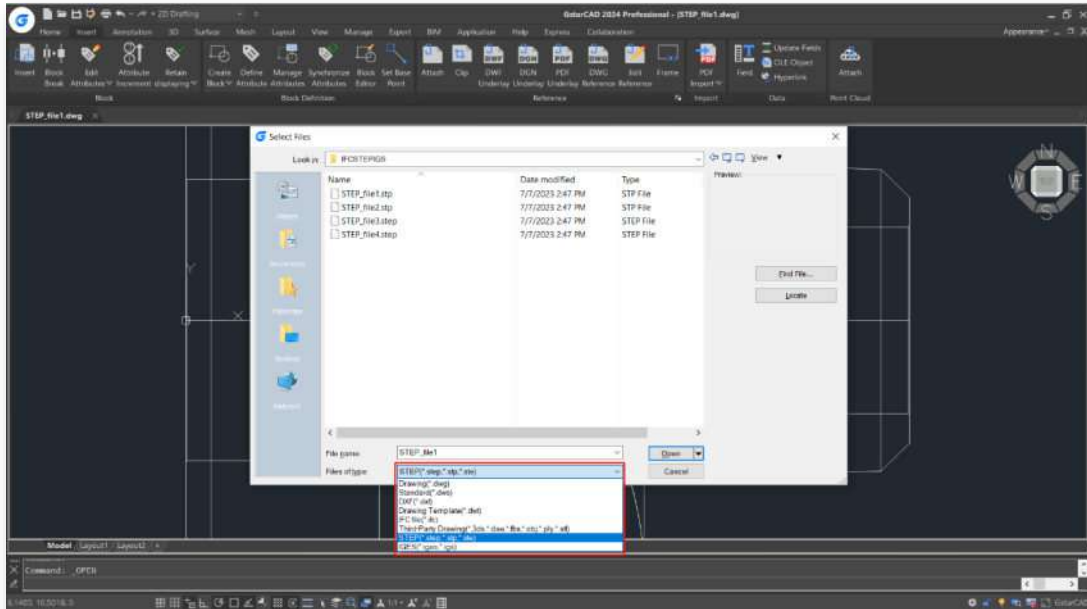
- **IFC Structure Panel**

IFC Structure Panel displays a tree structure of entities based on BIM data. By clicking the nodes in the tree structure, you can select and manage the corresponding 3D entities in the Model Space.



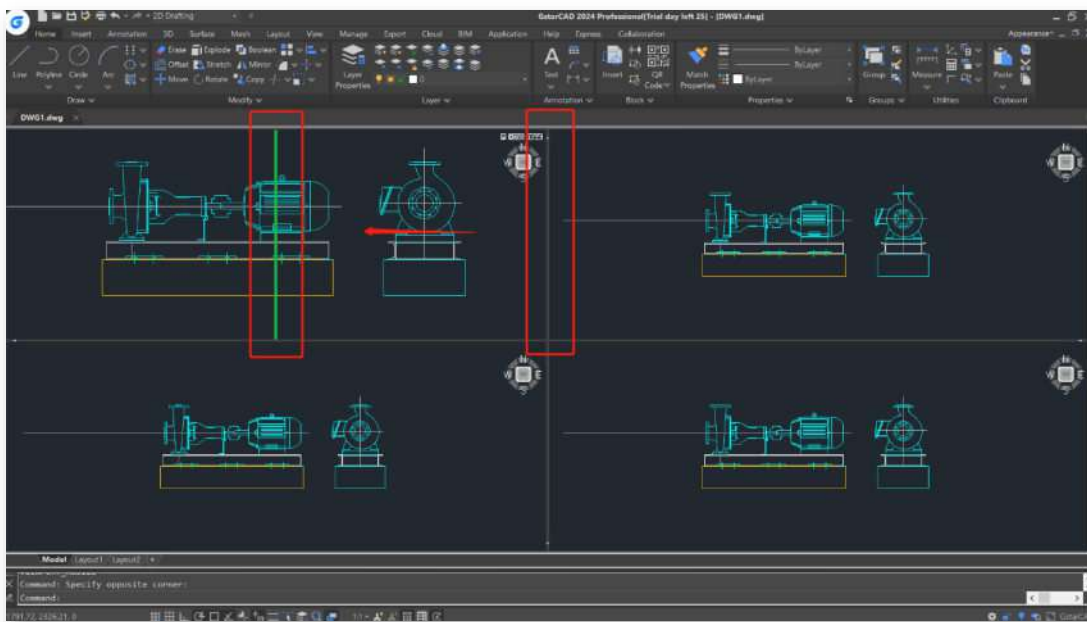
New STEP/IGES Files Import

GstarCAD 2024 brings enhanced functionality to the mechanical and architecture industries by supporting STEP and IGES files, which enables the convenient exchange of 3D CAD data between different software platforms.



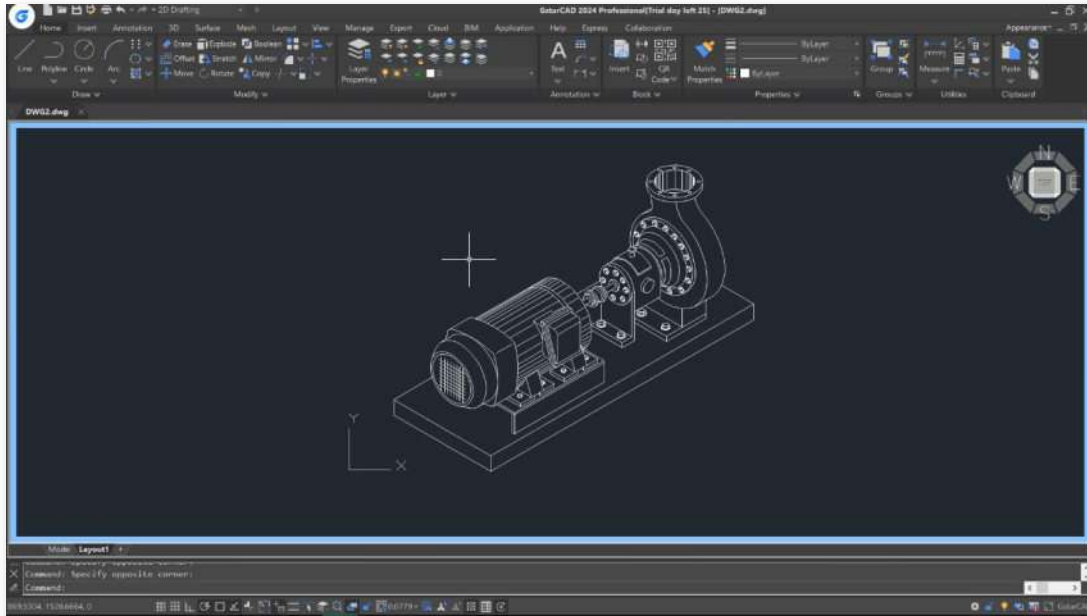
New Viewports Edit

You can add, merge and adjust viewports by simply holding and dragging the border of viewports with your mouse cursor, making it easier to use.



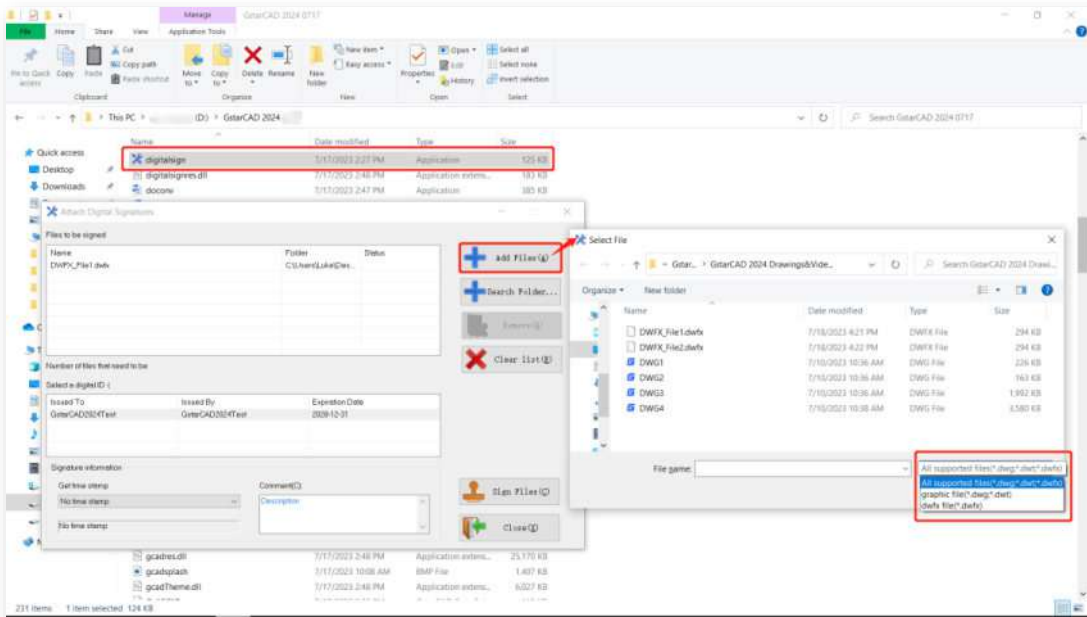
New VPMAX/VPMIN

VPMAX allows you to expand the current layout viewports and switch to Model Space for editing without worrying about messing up viewports' scales and limits. VPMIN allows you to restore the current layout viewport.



New DWFX Batch Digital Signing Tool

By using an independent batch Digital Signing tool, you can sign DWFX, DWG, and DWT files in bulk with digital signatures efficiently.





GstarCAD 2024



■ <https://www.gstarcad.qa/>