



GstarCAD 2024

Seamless Experience with High Compatibility

GstarCAD 2024

With accelerated performance, enhanced compatibility and elevated user experience, GstarCAD 2024 takes design productivity to new heights.

Experience optimized speed and quality when working with large files, enjoy expanded compatibility with support for more file formats and APIs, and discover a new level of design satisfaction with the upgraded Dynamic Input tool and adjustable viewports, etc. Join us and take a look at the exciting features of GstarCAD 2024.



GstarCAD 2024

Seamless Experience with High Compatibility

Advantages

Better Performance

With advanced technology and optimized algorithms, GstarCAD ensures you faster processing speed. Our efficient multi-core processing provides smoother handling of drawings, reducing lag and enhancing user experience.



Innovative Tools

Other than a comprehensive set of commands that you need, GstarCAD also offers over 100 unique and innovative tools that are designed to significantly speed up your drafting speed.



Perfect Compatibility

GstarCAD delivers high compatibility with ACAD and provides robust APIs. The seamless data format, familiar interface, command structure and user operating habit ensure easy transition, while the powerful APIs allow for extensive customization and automation.



Flexible Licensing

GstarCAD licensing policy is flexible and simple. We provide both perpetual license and subscription. You are free to choose the license mode and you decide when to upgrade.

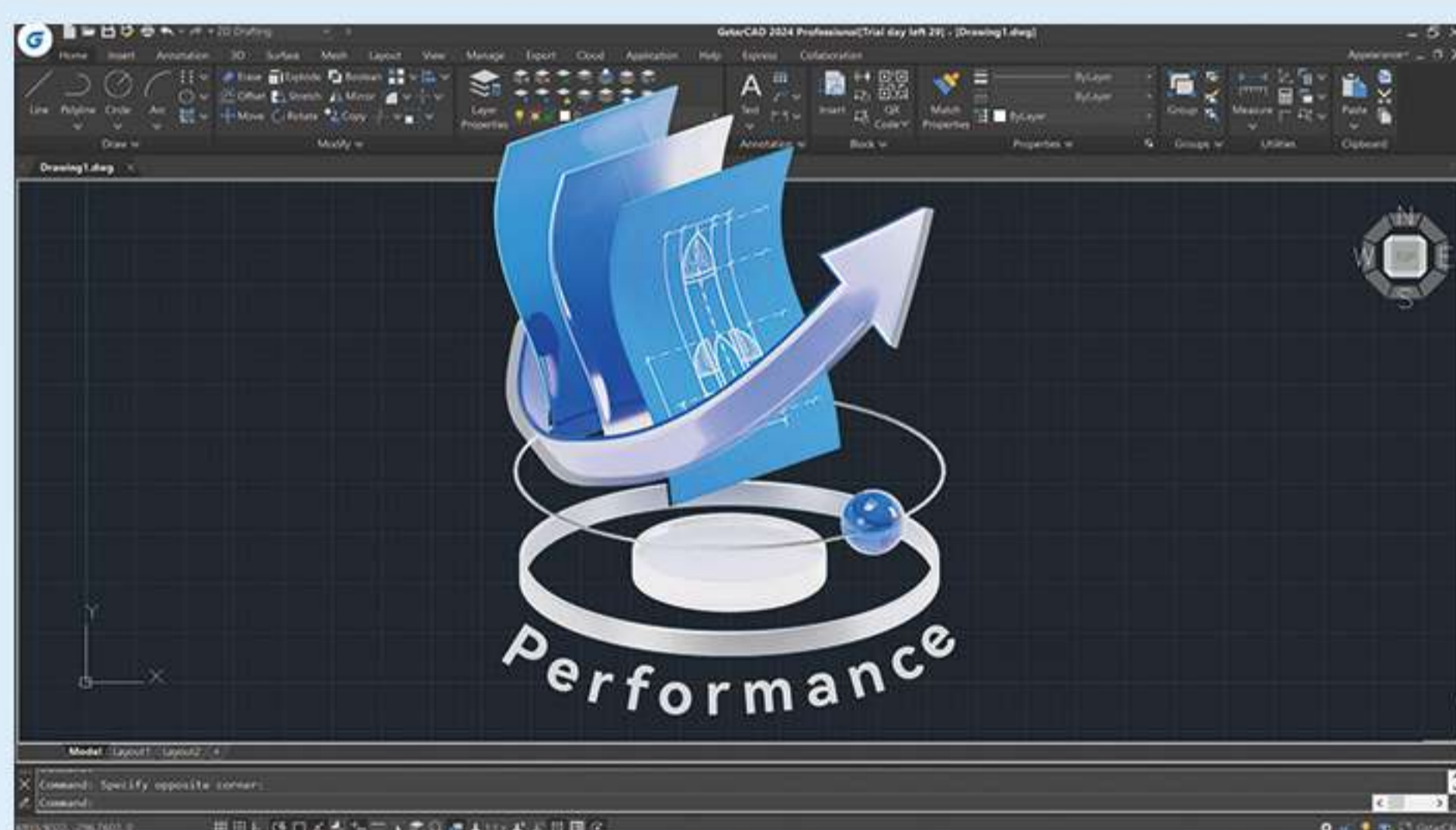
	Stand-alone License-key Serial number	Stand-alone USB-key Dongle	Network License-key Serial number	Network USB-key Dongle
Perpetual license	✓	✓	✓	✓
Rental license	✓	✗	✓	✗
License borrowing	✗	✗	✓	✗
Connection to license server	✗	✗	✓	✓

What's new in GstarCAD 2024

Improvements

Performance

The stability and performance have significantly improved in GstarCAD 2024, enhancing your design workflow. Large raster images processing is faster and smoother with high quality, hatch preview and lineweight display remain in high performance even in complex drawings.



API (GRX/VBA/LISP/.NET/COM)

.NET With 100% integrity in core module interfaces that are most commonly used, GstarCAD 2024 ensures efficient development and seamless cross-platform compatibility.

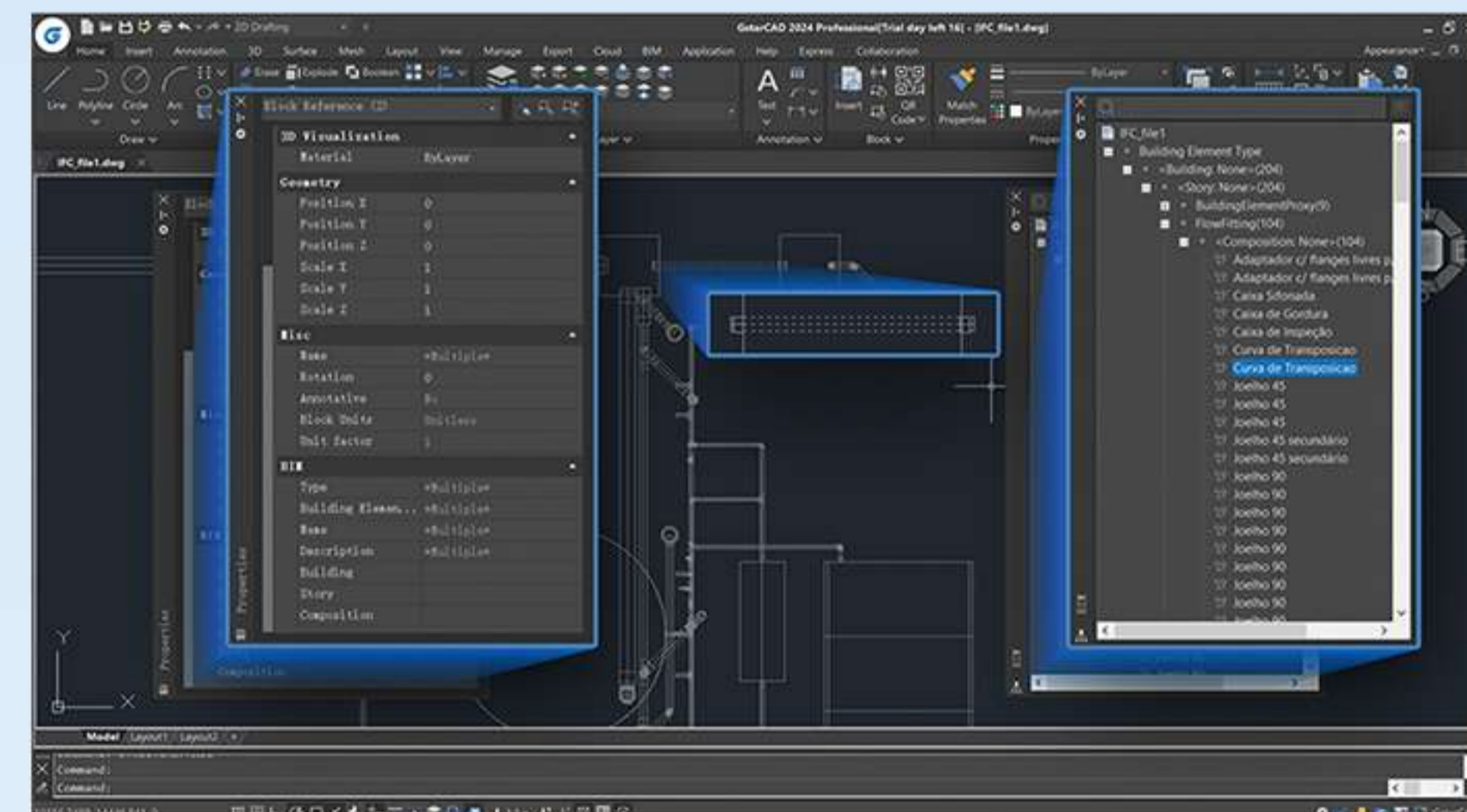
LISP Encoding format of the LISP module has been optimized and adjusted to ensure complete compatibility with ANSI, UTF-8, UTF-16, UTF-8 BOM, and other encoding formats used in LISP, FAS, VLX, and DCL files.



Dynamic Input : Adds Dimension Input, vertical Dynamic Prompts list and separates Pointer Input boxes to provide easier to use experience and improve design efficiency.

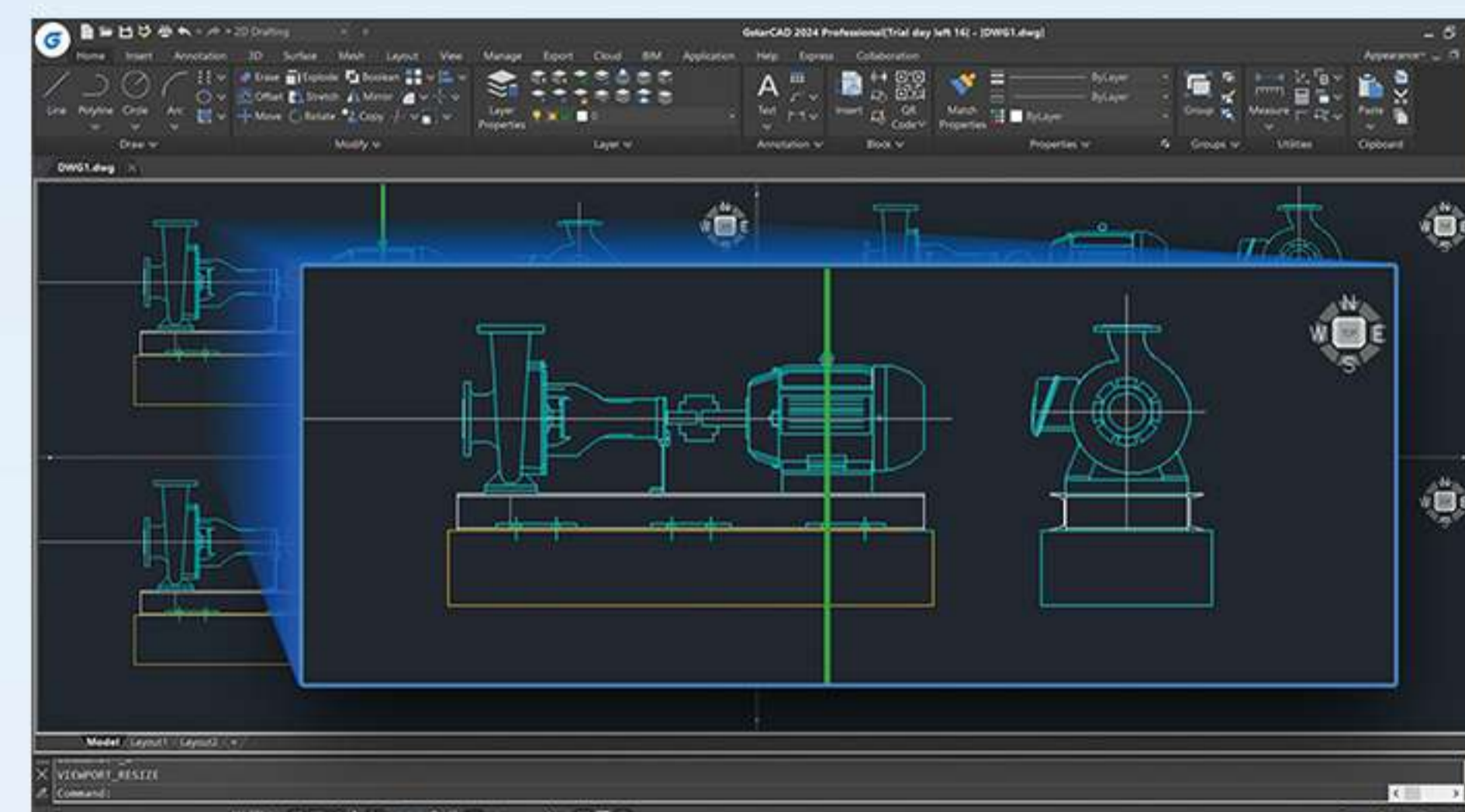
New Features

BIM Support : IFC files can be imported with complete BIM data in GstarCAD 2024, shown in Properties Panel, and entities can be managed in IFC Structure Panel.



STEP/IGES Files Import : Supports STEP and IGES files, which enables convenient exchange of 3D CAD data between different software platforms.

Viewports Edit : You can add, merge and adjust viewports by simply holding and dragging the borderlines of viewports with your mouse cursor, making it easier to use.



VPMAX/VPMIN : VPMAX allows you to expand the current layout viewports and switch to Model Space for editing without worrying about messing up viewports' scales and limits. VPMIN allows you to restore the current layout viewport.

DWFX Batch Digital Signing Tool : By using an independent batch Digital Signing tool, you can sign DWFX, DWG, DWT and other files in bulk with digital signatures efficiently.